



Antonio
Matese

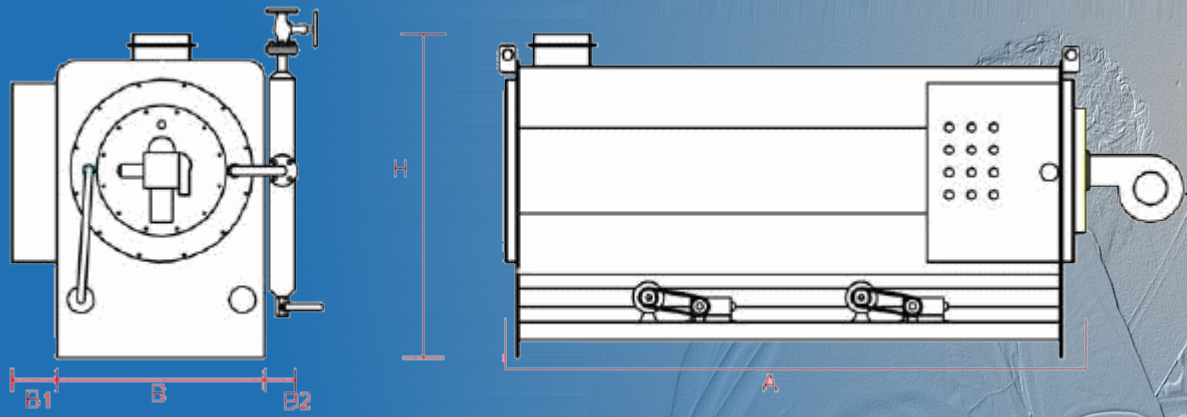
- Without patented conductor
- High efficiency



MODEL A.M.C. UNITUBOLARE

Made in accordance with PED according to 97/23/CE

Instantaneous steam generator horizontal or vertical , double spiral, built with high quality tubes



Model	300/400	500/600	700/800	1000/1200	1300/1500
Steam production Kg H.	300/400	500/600	700/800	1000/1200	1300/1500
Power Kw. H.	From 226 to 302	From 377 to 453	From 529 to 604	From 755 to 907	From 980 to 1134
Kcal. H.	From 195000 to 260000	From 325000 to 390000	From 455000 to 520000	From 650000 to 780000	From 845000 to 975000
Pressure bar	Bar 12	Bar 12	Bar 12	Bar 12	Bar 12
Fuel Consumption Gas mc/h.	From 23 to 30.5	From 38 to 46 Mc H	From 53 to 61 Mc H	From 76 to 92 Mc H	From 99.5 to 114
G.P.L. Consumption kg/h.	From 16 to 21.6	From 27 to 33 Kg H	From 38 to 44 Kg H	From 55 to 65 Kg H	From 70 to 81
Gasoil Consumption kg/h.	From 19.5 to 26	From 32.5 to 39 Kg H	From 45.5 to 52 Kg H	From 65 to 78 Kg H	From 84.5 to 97.5
Steam Outlet	DN. 25	DN. 32	DN. 32	DN. 32	DN. 32
Chimney diameter mm.	D. 160	D. 200	D. 220	D. 250	D. 300
Backpressure c.c. MM/Bar	From 2.5 to 3.5	From 3 to 4.5	From 4 to 5	From 5 to 6	From 7 to 8.5
Measurement A	1500 MM.	1600 MM.	2000 MM.	2600 MM.	2800 MM.
Measurement B	860 MM.	930 MM.	930 MM.	930 MM.	1400 MM.
Measurement H	1300 MM.	1450 MM.	1450 MM.	1450 MM.	1700 MM.
Measurement B1	200 MM.	200 MM.	200 MM.	200 MM.	200 MM.
Measurement B2	140 MM.	140 MM.	140 MM.	140 MM.	140 MM.
Weight	700 Kg	940 Kg	1100 Kg	1260 Kg	1400 Kg

The supply includes:

- Coil made of carbon steel with double spiral, built with ASTM high quality tubes schedule 40 with certificate of origin.
- Carpentry made of sheet carbon steel and profiles dimensioned for the purpose, all adequately coated.
- Proper insulation and covering in stainless steel AISI 304.
- Generators are equipped with volumetric pumps HT (high temperature) dimensioned to potential.
- Electric control panel, pressure switch, flow switch, safety valve in accordance with PED 97/23 CE.
-
- The unit will be accompanied by a certificate of conformity to the PED 97/23 CE.

On request, with an extra charge:

- Gas, G.P.L. or Gasoil burner.
- Water softener.
- Feeding tank in stainless steel in different dimensions from the standard.
- On-site installation and testing.
- Capacity up to 2000 KG/H.
- Capacity of less than 300 KG/H.
- Vertical version to the capacity of 800 KG/H.

N.B.:

- All our models are equipped with n. 2 pumps, with water flow regulation system by inverter. The flowmeter supplied allows the reading constant and precise in the quantity of water introduced into the generator.

ANTONIO MATESE CALDAIE DI TORRINI STEFANIA
 VIA URBINESE 47-LOC. MATASSINO 52026 PIAN DISCO' (AR)
 P.IVA 06270740480 C.F. TRRSFN59C43D612P
 TEL. 055-958283 FAX. 055-9507543

WWW.ANTONIOMATESECALDAIE.IT – INFO@ANTONIOMATESECALDAIE.IT

ANTONIO MATESE CALDAIE reserves the right to change any indication without notice