



Antonio  
Matese

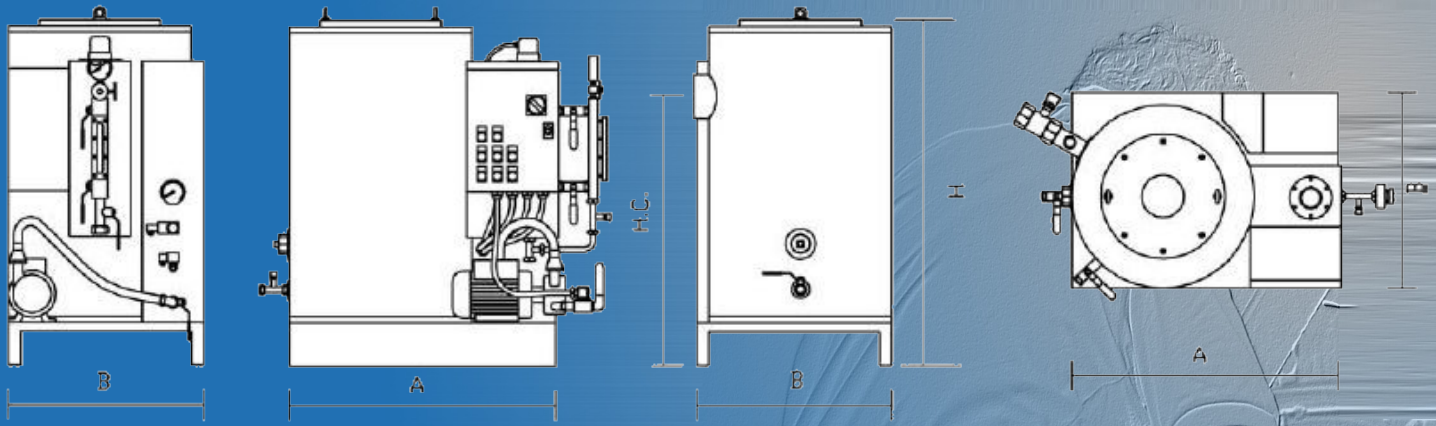
- Without patented conductor
- Reduced dimensions
- High efficiency
- No refractory



Vertical steam generator with horizontal pipes to occupy a compact area. These generators are designed with thicker plating in the parts with high pressure, in order to resist possible corrosion as long as possible. The burner is positioned in the upper part of the generator.

## MODEL A.M.C. ECONOMY

Made in accordance with PED according to 97/23/CE



Model	A.M.C. E.50-100-120	A.M.C. E.150-200-220	A.M.C. E.250-300-350	A.M.C. E.400-450-500
Steam production Kg/H	From 50 to 120	From 150 to 220	From 250 to 350	From 400 to 500
Power Kw/H	From 34.7 to 90	From 112.7 to 166	From 189 to 264	From 302 to 378
Kcal.H	From 29900 to 78000	From 97000 to 143000	From 162500 to 227500	From 260000 to 325000
Pressure Bar	5	5	5	4
Fuel consumption Gas Mc/H	From 3.5 to 9	From 11.5 to 16.8	From 19 to 27	From 30.5 to 38.2
Gasoil Kg/H	From 3 to 7.8	From 9.7 to 14.3	From 16.25 to 22.75	From 26 to 32.5
Gpl Kg/H	From 2.5 to 6.5	From 8 to 11.9	From 13.5 to 18.9	From 21.6 to 27
Mc/H	From 1.1 to 2.8	From 3.8 to 5.3	From 6 to 8.4	From 9.5 to 11.7
Electric. Kw/H	0.75	0.75	1.5	1.5
Steam outlet	1/2" Gas	3/4" Gas	1" Gas	1" Gas
Chimney diameter mm.	140 MM.	180 MM.	200 MM.	250 MM.
Back pressure C.C. Mmbar	From 0.5 to 1.8	From 2.5 to 3	From 3.5 to 5	From 4.5 to 5.5
Burner nozzle C.C. MM.	70 / 130	120 / 200	200 / 250	200 /250
Water inlet in the tank	1/2" Gas	1/2" Gas	1/2" Gas	1/2" Gas
Weight (empty) Kg.	300	350	450	500
Measurement A MM.	875	875	958	1100
Measurement B MM.	640	640	668	800
Measurement H. without burner	1150 MM.	1390 MM.	1630 MM.	1800 MM.
Chimney height from ground	890 MM.	1130 MM.	1370 MM.	1479 MM.

The supply includes:

- Coil made of carbon steel with certified materials as designed.
- Proper insulation
- Covering in stainless steel AISI 304 properly shaped.
- Electric control panel
- Safety valve, pressure switch
- Stainless steel AISI 316 cocks.
- Malleable iron pipe fittings.
- CALPEDA pump
- Purge valve pneumatic timed
- Control probes, visually flanges level
- The unit is supplied with electrical and water connections already made
- The unit will be accompanied by a certificate of conformity to the PED 97/23 CE.

On request, with an extra charge:

- Stainless steel AISI 316 fittings.
- Steam overheater (recommended for plants with long pipelines or where it is required a very dry steam)
- Economizer (recommended for long working session as 8-10hours a day) allows significant energy saving
- Preheating valve water supply (recommended when it is not carried out the recovery of the condensate in order to remove as much as possible the concentration of oxygen)
- Gas or gasoil burner
- Water softener

ANTONIO MATESE CALDAIE DI TORRINI STEFANIA  
 VIA URBINESE 47-LOC. MATASSINO 52026 PIAN DISCO' (AR)  
 P.IVA 06270740480 C.F. TRRSFN59C43D612P  
 TEL. 055-958283 FAX. 055-9507543

[WWW.ANTONIOMATESECALDAIE.IT](http://WWW.ANTONIOMATESECALDAIE.IT) – [INFO@ANTONIOMATESECALDAIE.IT](mailto:INFO@ANTONIOMATESECALDAIE.IT)

ANTONIO MATESE CALDAIE reserves the right to change any indication without notice